

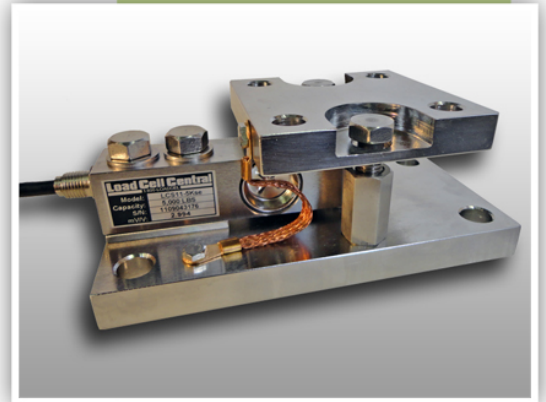
Load Cell Central

1-800-LOADCEL

Model: Duramount 30

Stainless Steel Low-Profile Vessel Weighing Assembly

The Duramount 30 is designed for harsh environments: the mounting assembly is stainless steel, ideal for washdown and corrosive areas. When combined with our LCS11 load cell, the DM-30 is available in capacities of 500, 1K, 2.5K, 4K, 5Kse, 5Kle, and 10K lbs. It is designed for low-profile medium capacity applications. Check rods are unnecessary for static loads. If major load movement is anticipated, platform or vessel bumpers may be required.



Features:

- Capacity of 500 to 10K lb
- Stainless steel construction
- Two axes of freedom
- Rocker pin loading design
- Uplift protection
- Low-profile

Applications:

- Food processing
- Batching
- Process weighing
- Tank weighing
- Harsh environments
- Conveyors
- Chemical plants
- Filling machines

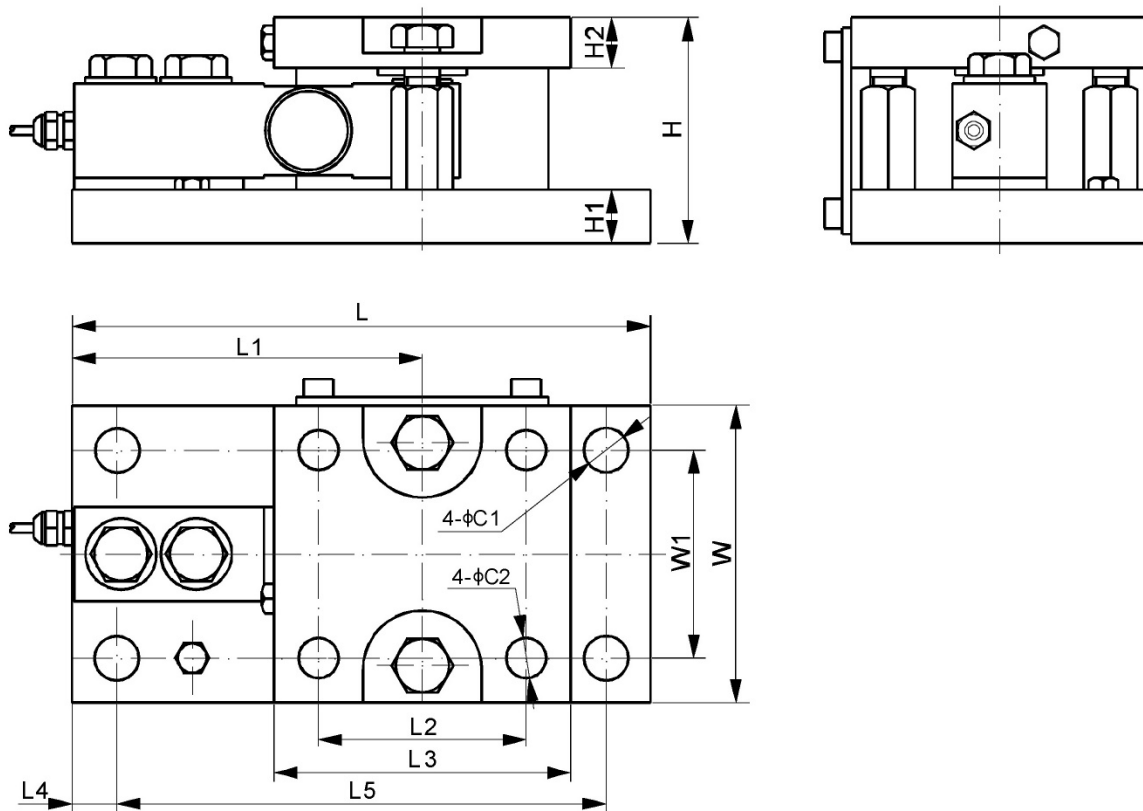
Load Cell Central
28175 Rte. 220
Milan, PA 18831

Web: www.800loadcel.com
Email: sales@800loadcel.com

Toll Free: 1-800-562-3235
Phone: 1-570-731-7048
Fax: 1-570-731-7054

Dimensions:

Capacity	C1	C2	H	H1	H2	L	L1	L2	L3	L4	L5	W	W1
500 - 5Kse	0.59	0.53	2.99	0.71	0.67	7.68	4.65	2.76	3.94	0.59	6.50	3.94	2.76
5K-le / 10K	0.71	0.59	4.33	1.06	0.98	9.57	6.00	3.35	4.72	0.75	8.07	4.72	3.35



Load Cell Central
 28175 Rte. 220
 Milan, PA 18831

Web: www.800loadcel.com
 Email: sales@800loadcel.com

Toll Free: 1-800-562-3235
 Phone: 1-570-731-7048
 Fax: 1-570-731-7054